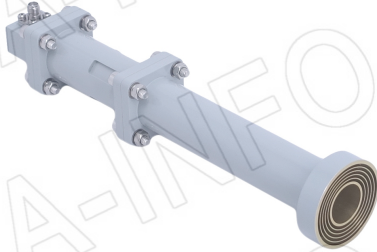


For reference only. See data sheet for the detailed specifications.

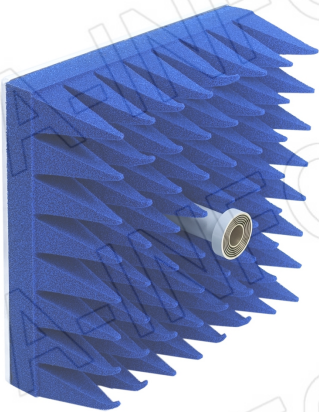
Technical Specification

LB-ACH-62-10-C-SF



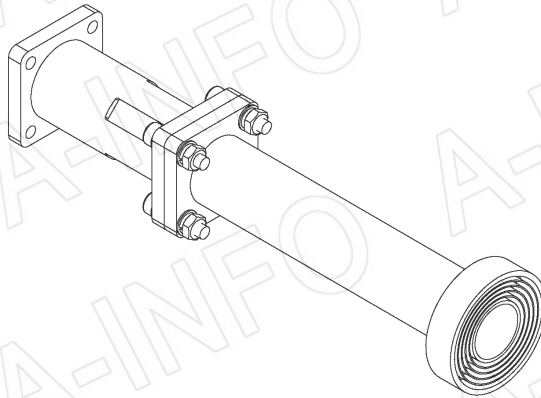
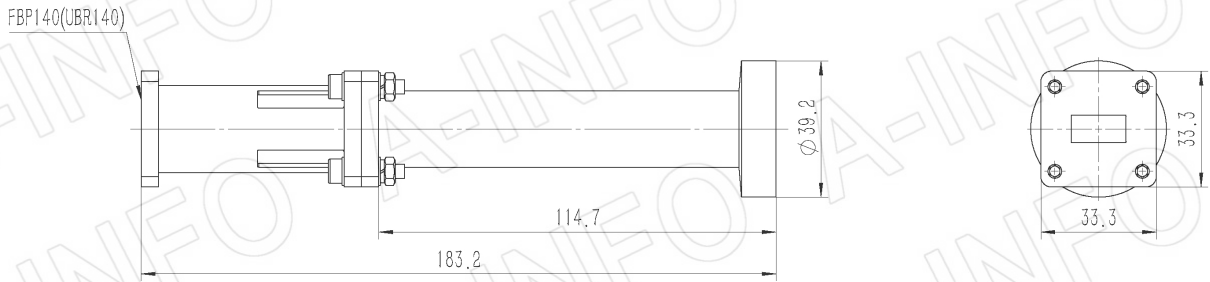
Frequency Range(GHz)	12.4 – 18.0
Waveguide	WR62
Gain(dBi)	10 Typ.
Polarization	Linear
3dB Beamwidth(deg)	E Plane: 54 Typ.
	H Plane: 56 Typ.
10dB Beamwidth(deg)	E Plane: 102 Typ.
	H Plane: 105 Typ.
Cross Pol. Isolation(dB)	45 Typ.
VSWR	A Type: 1.20:1 Typ.
	C Type: 1.40:1 Typ.
Output	A Type: FBP140(UBR140)
	C Type: SMA-Female or N-Female or TNC-Female or 7mm or 3.5mm-Female
Material	Al
Finish	Silver Plated and Chemical Conversion Coating, Gray Paint
Size(mm)	A Type: 39.2 x 39.2 x 183.2
	C Type: 39.2 x 39.2 x 210.2
	A-A1: 266.4 x 266.4 x 183.2
	C-SF-A1: 266.4 x 266.4 x 210.2
Net Weight(Kg)	A Type: 0.17 Around
	C Type: 0.22 Around
	A-A1: 1.42 Around
	C-SF-A1: 1.46 Around

LB-ACH-62-10-C-SF-A1



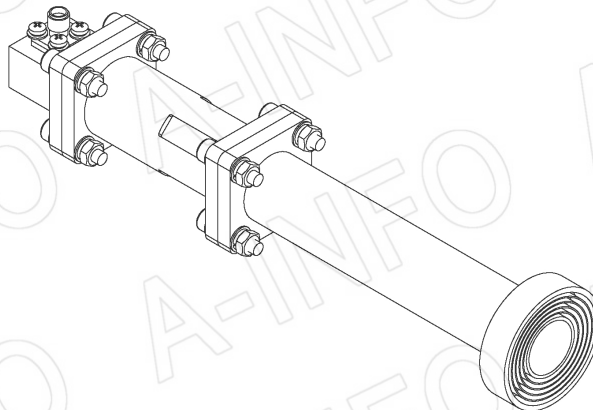
Outline Drawing (Size: mm)

FBP140 Output (P/N: LB-ACH-62-10-A)



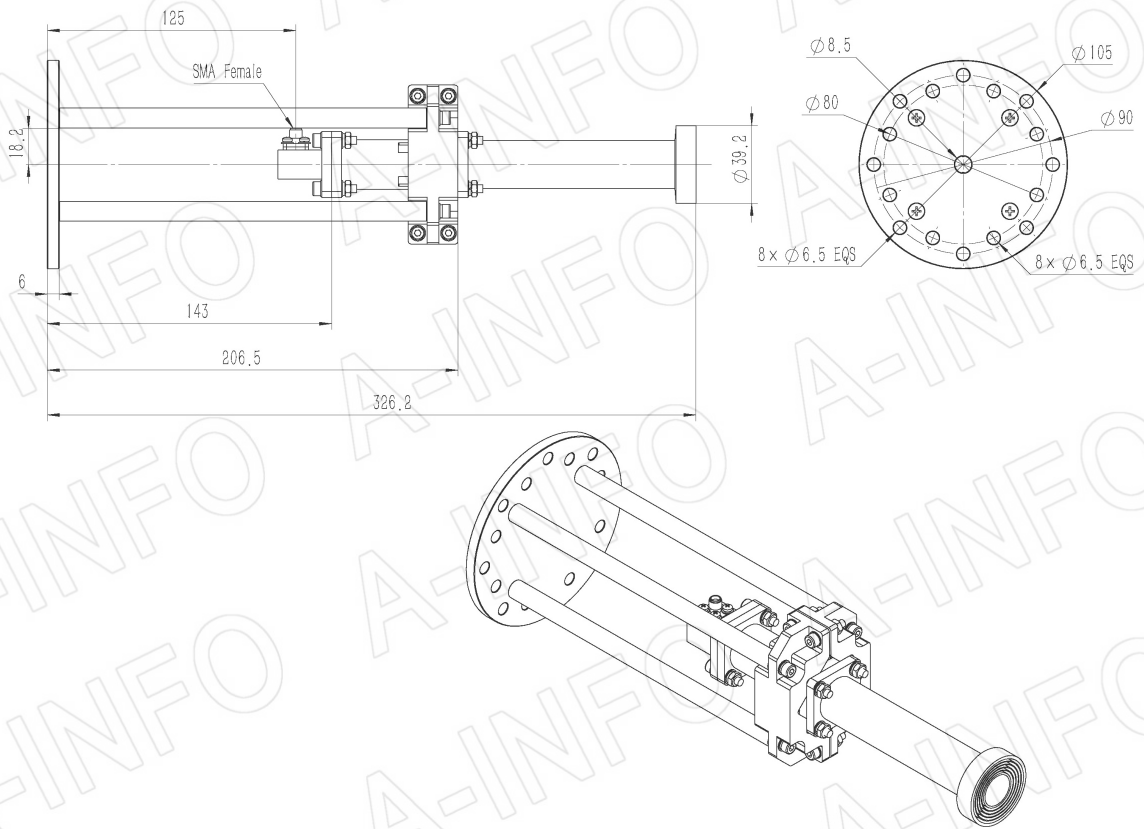
SMA-Female Output (P/N: LB-ACH-62-10-C-SF)

For N-Female, TNC- Female, 7mm or 3.5mm-Female output outline drawing, please contact A-INFO.



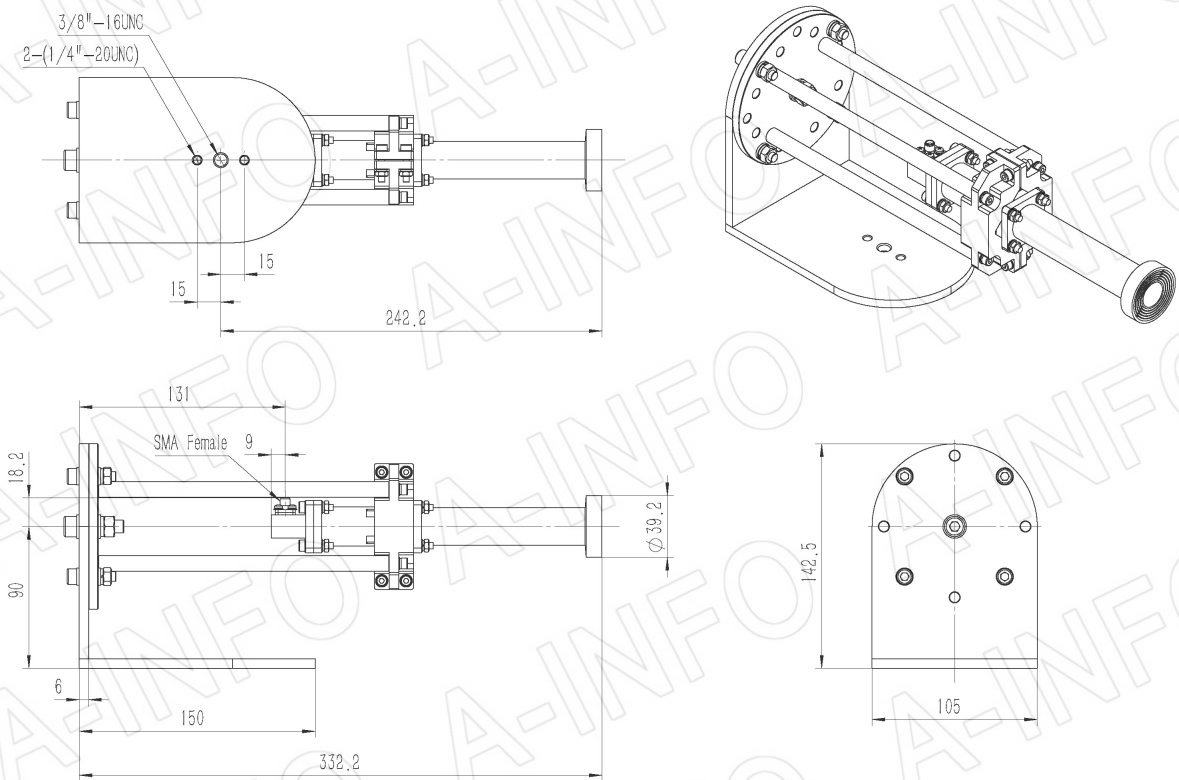
SMA-Female Output with Round Mounting Bracket (Option, P/N: LB-CNH-62-10-MB)

For N-Female, TNC- Female, 7mm or 3.5mm-Female output outline drawing, please contact A-INFO.

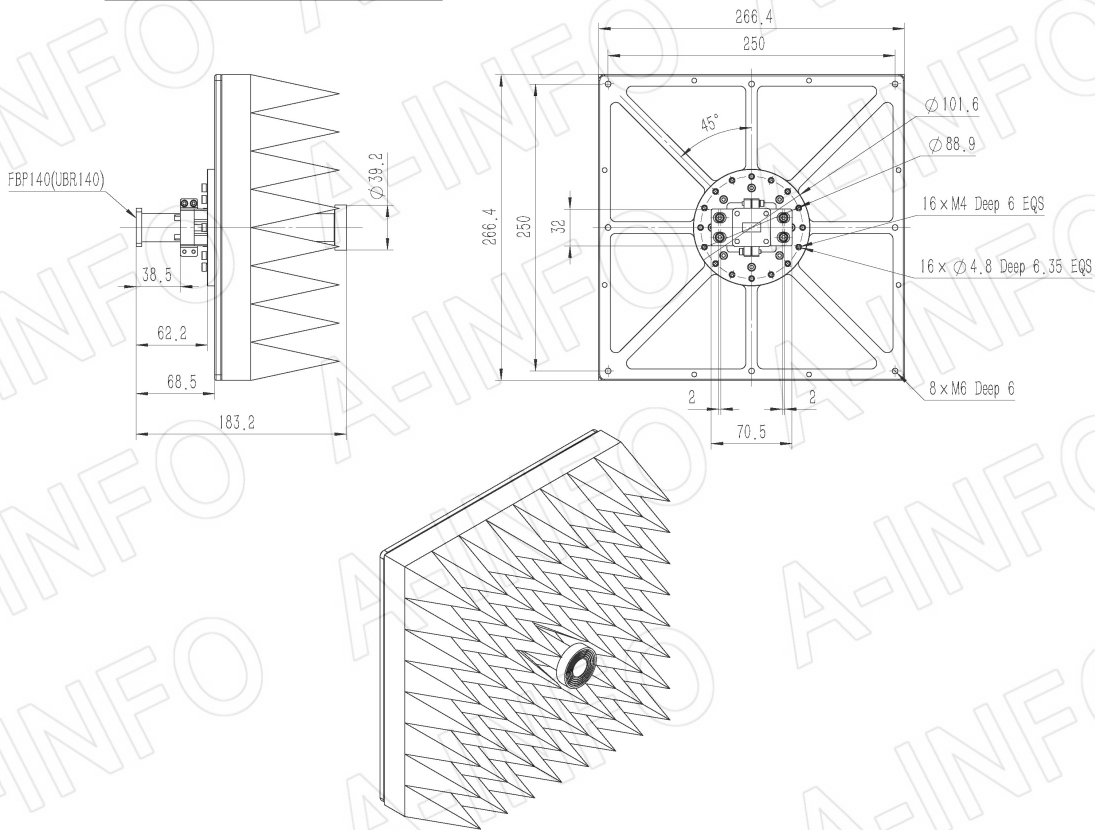


SMA-Female Output with L Type Mounting Bracket (Option, P/N: LB-CNH-62-10-MBL)

For N-Female, TNC- Female, 7mm or 3.5mm-Female output outline drawing, please contact A-INFO.

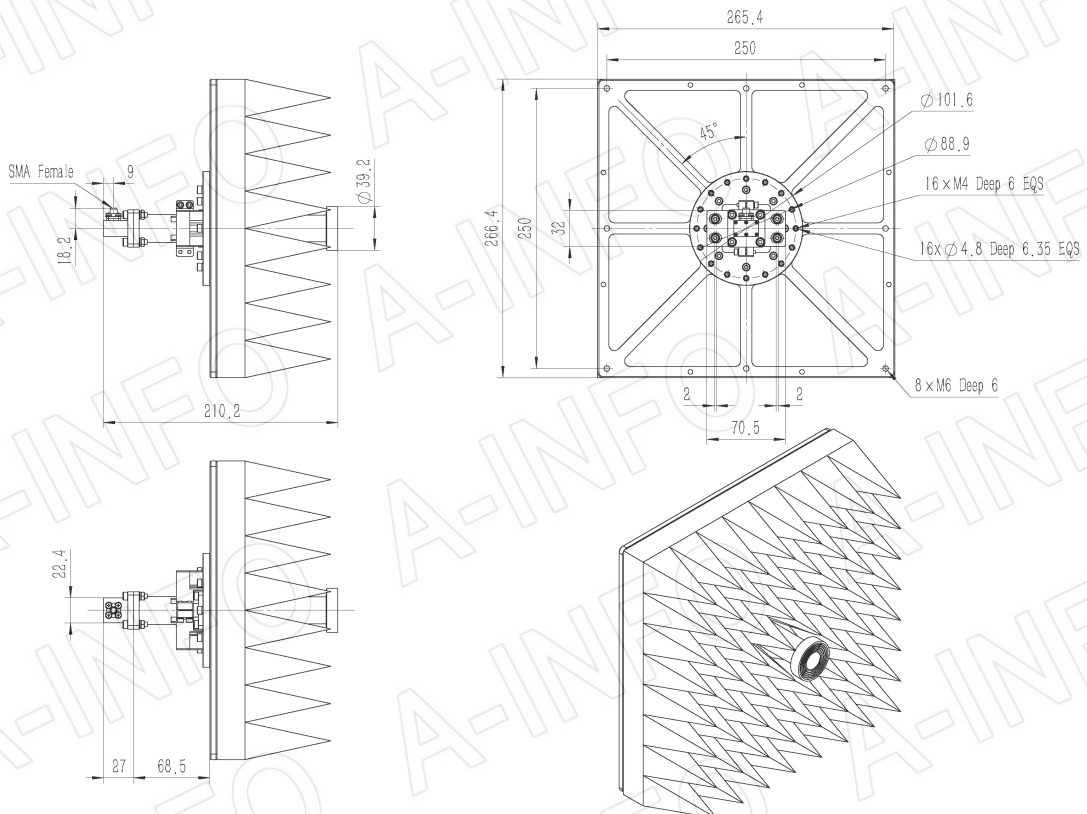


FBP140 Output, Equipped with Absorber (Option, P/N: LB-ACH-62-10-A-A1)



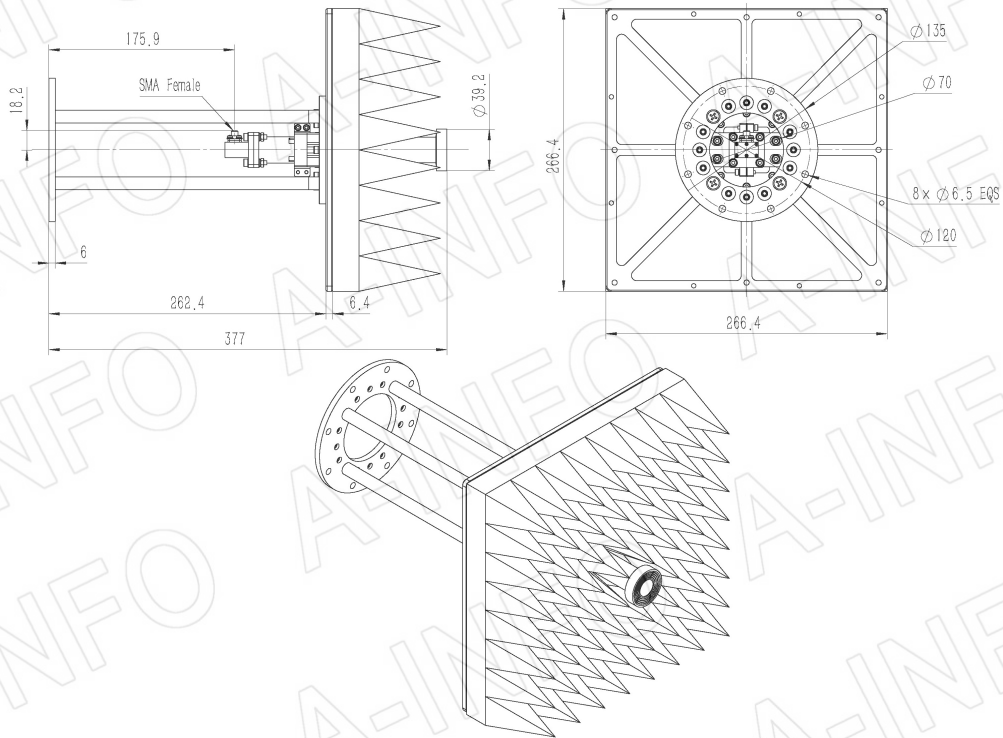
SMA-Female Output, Equipped with Absorber (Option, P/N: LB-ACH-62-10-C-SF-A1)

For N-Female, TNC- Female, 7mm or 3.5mm-Female output outline drawing, please contact A-INFO.



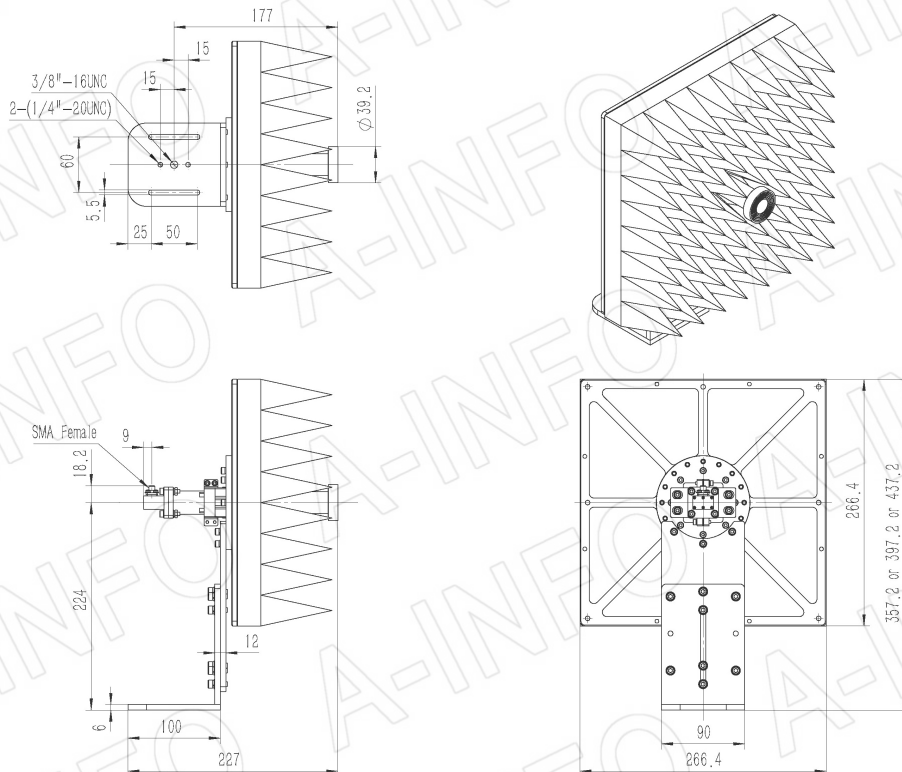
SMA-Female Output with Round Mounting Bracket & Equipped with Absorber (Option, P/N: EWG-MB40 & LB-ACH-62-10-C-SF-A1)

For N-Female, TNC- Female, 7mm or 3.5mm-Female output outline drawing, please contact A-INFO.

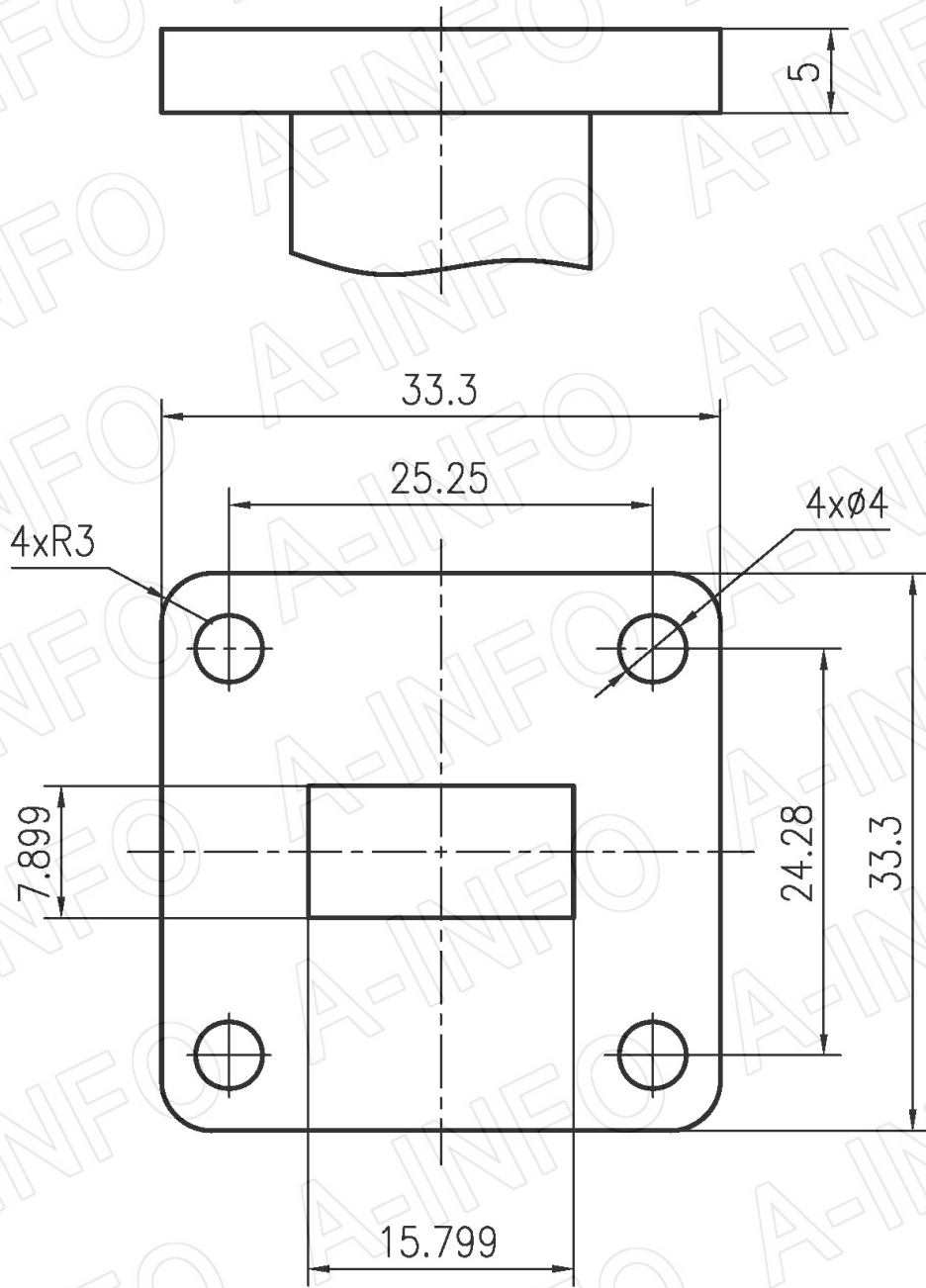


SMA-Female Output with L Type Mounting Bracket & Equipped with Absorber (Option, P/N: EWG-L40 & LB-ACH-62-10-C-SF-A1)

For N-Female, TNC- Female, 7mm or 3.5mm-Female output outline drawing, please contact A-INFO.



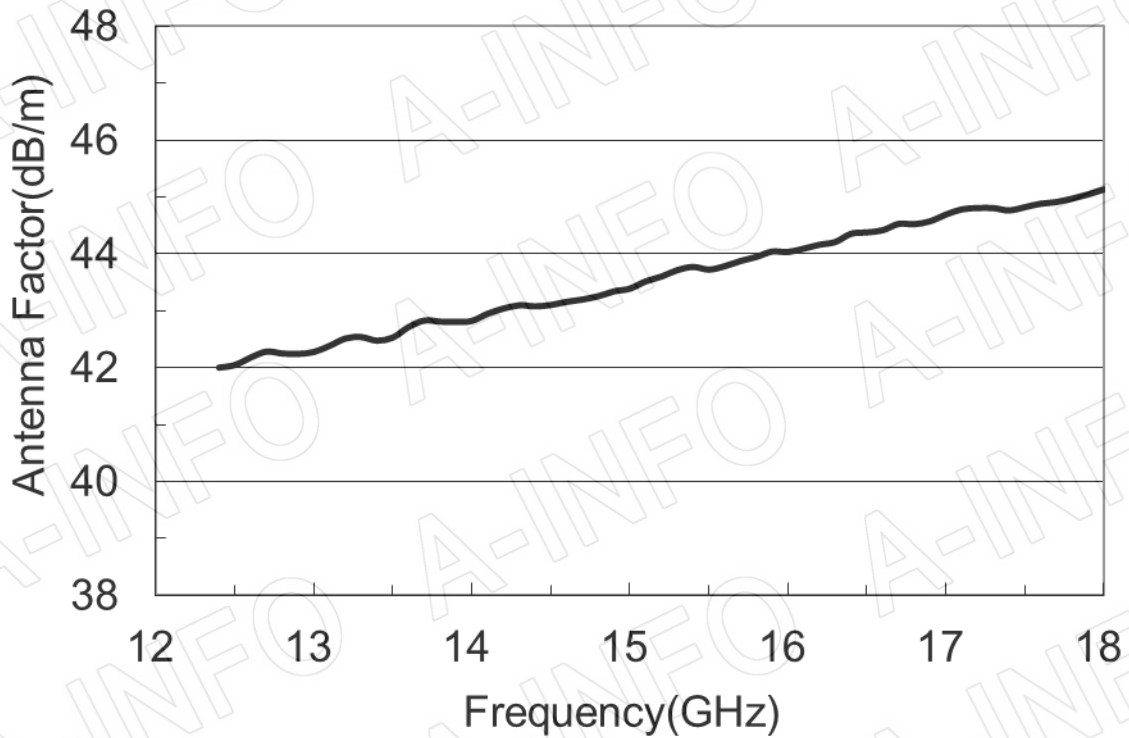
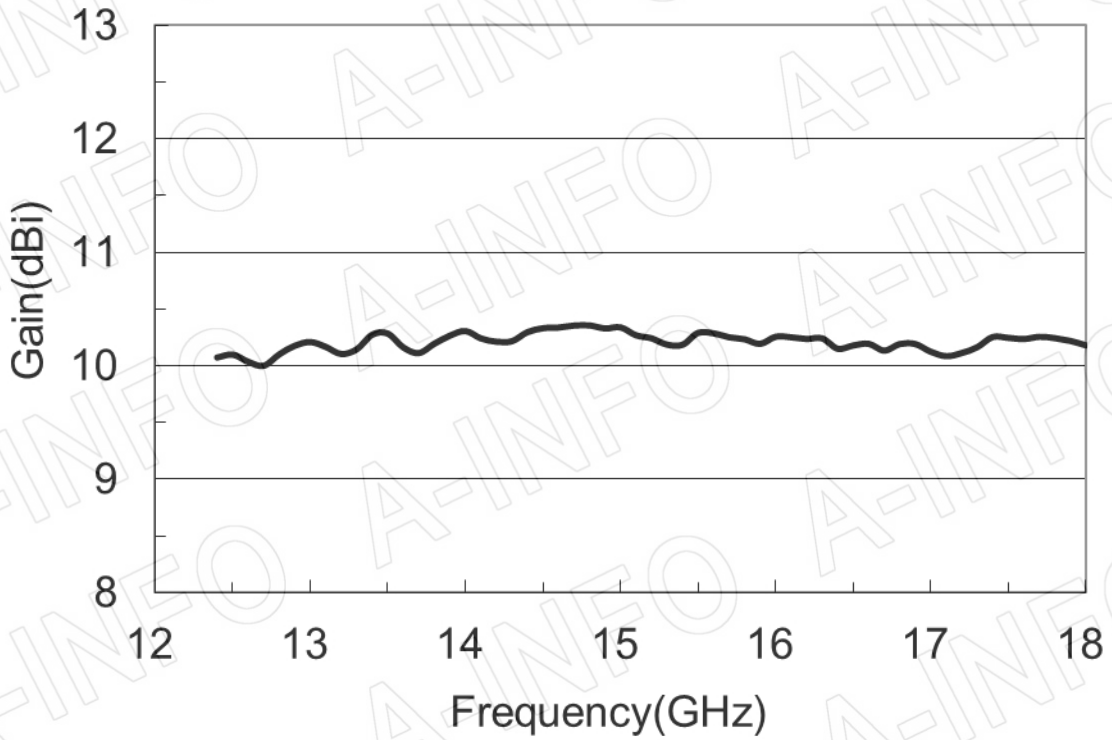
Flange Drawing (Size: mm)



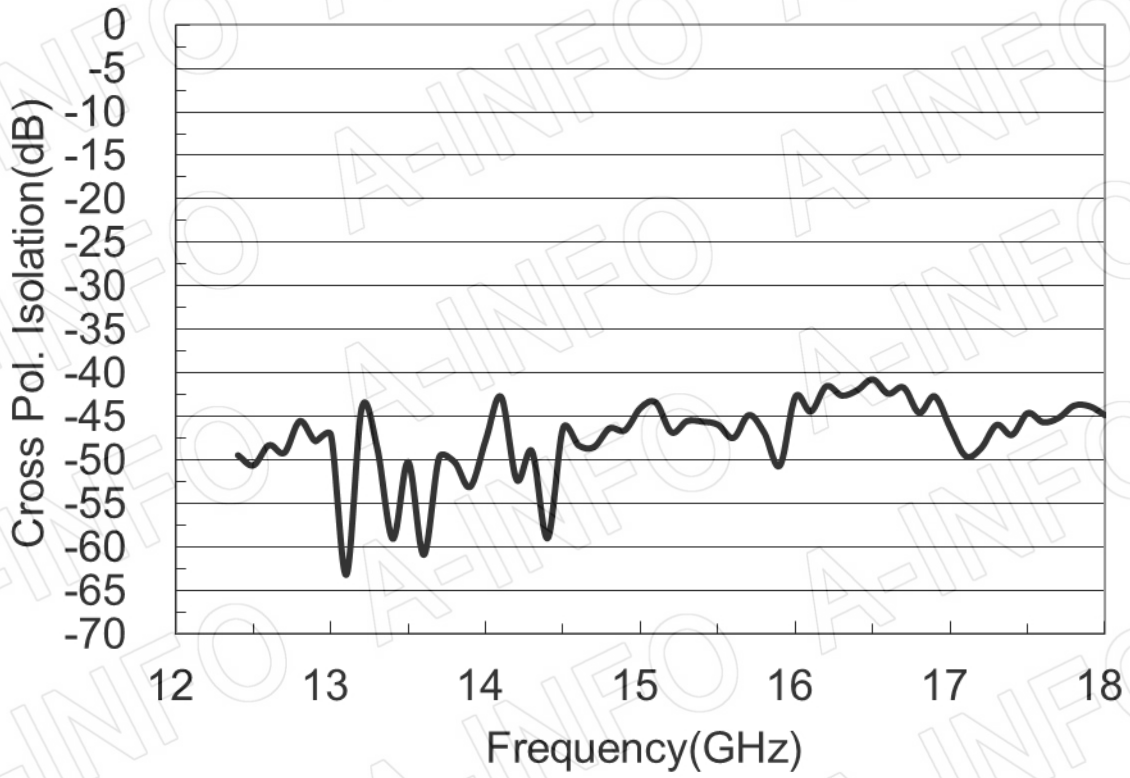
FBP140

Test Results

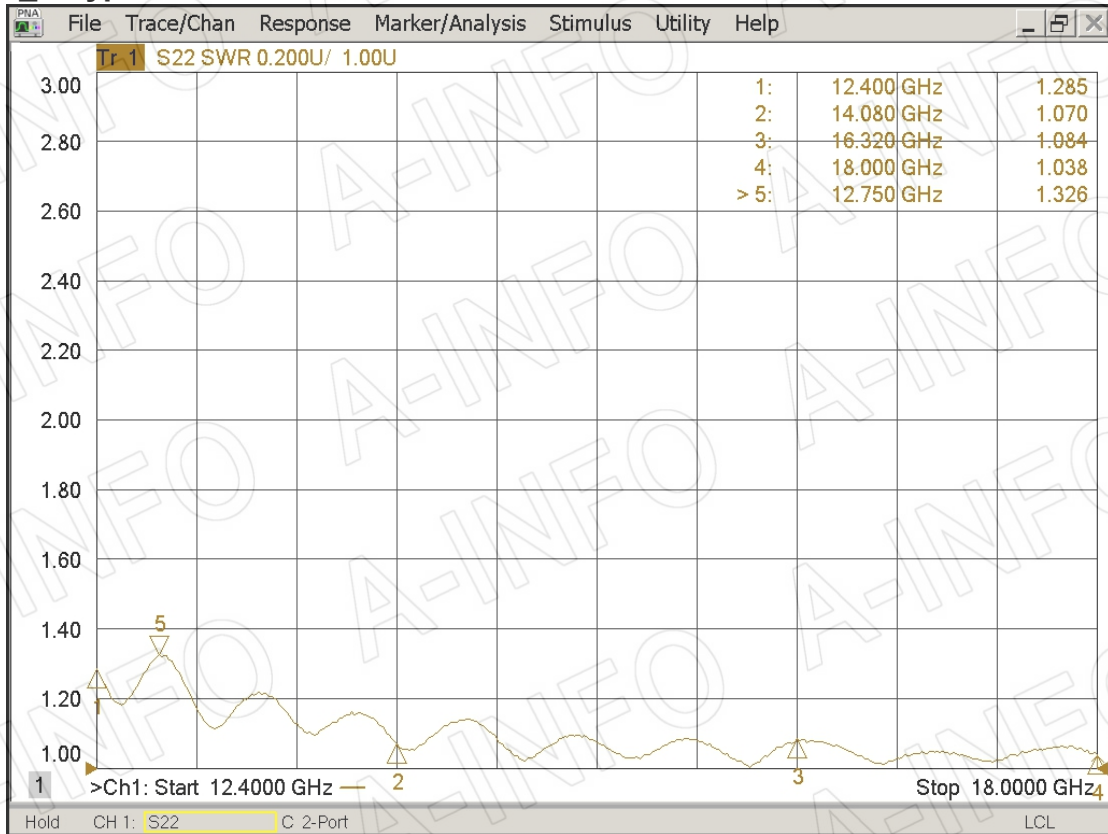
1. Gain & Antenna Factor



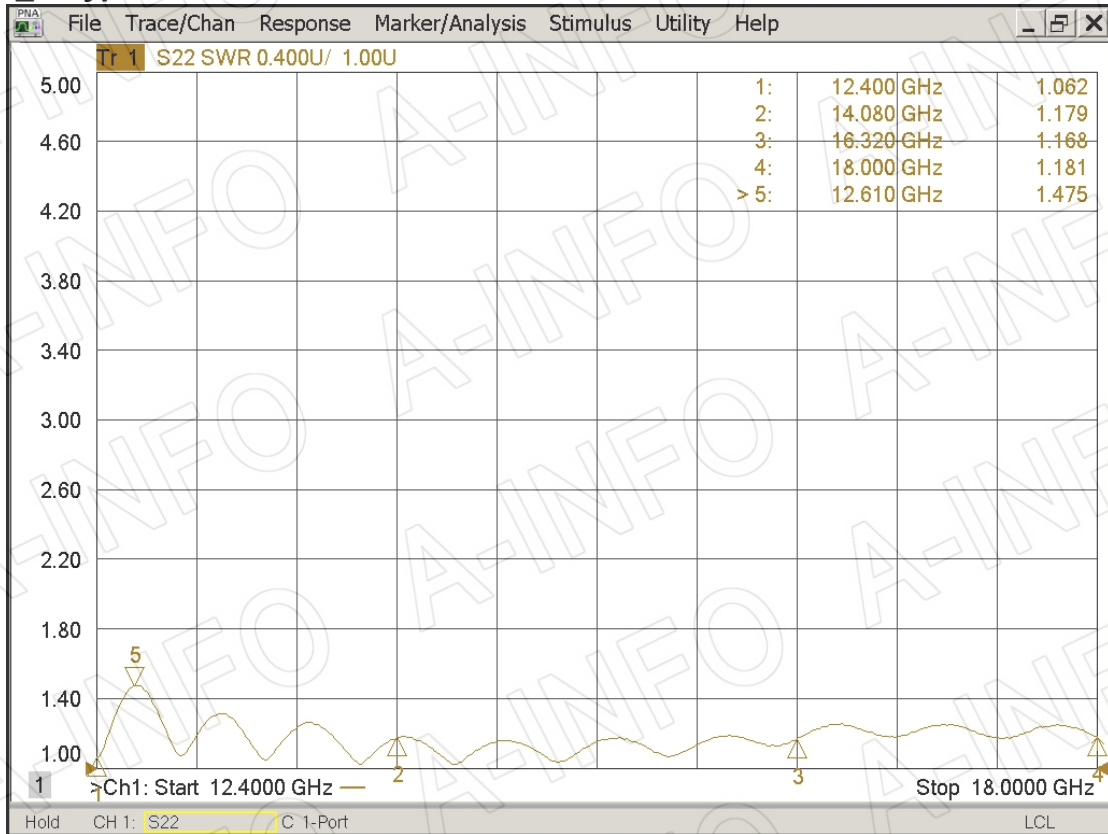
2. Cross Polarization Isolation



3. VSWR_A Type



VSWR_C Type



4. Pattern

